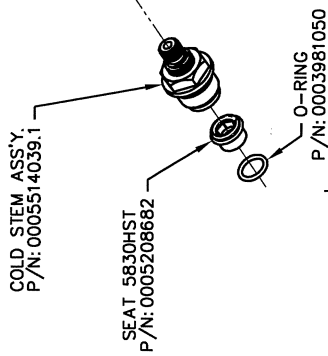
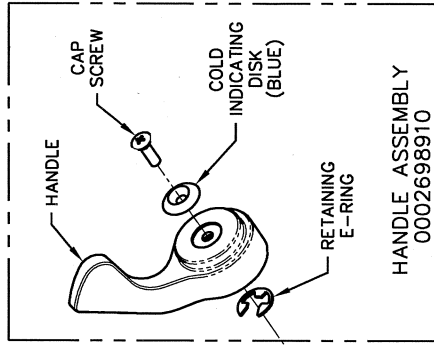
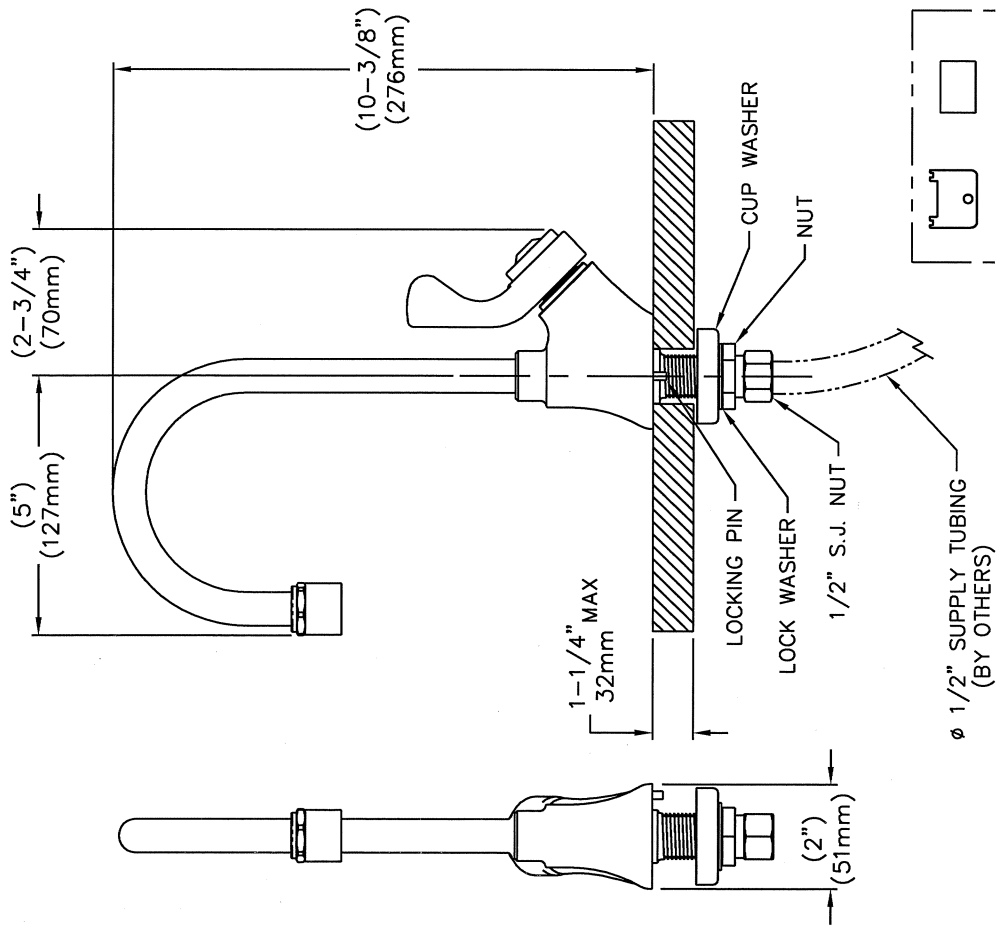
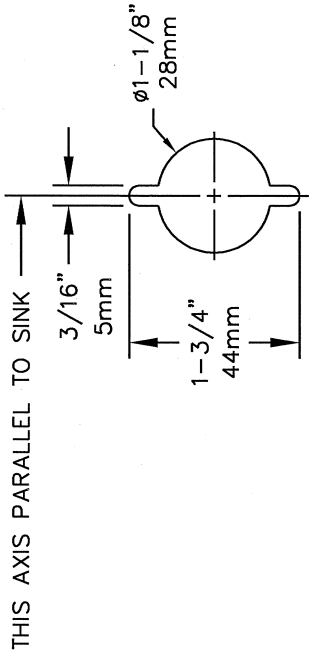


THIS DOCUMENT IS TRUE AND CORRECT AT TIME OF PUBLICATION. CONTINUED PRODUCT IMPROVEMENTS MAKE SPECIFICATIONS AND MEASUREMENTS SUBJECT TO CHANGE WITHOUT NOTICE.

**NOTE:**

1. BE SURE INDEXING PINS ARE INSTALLED AND ORIENTED TO ACCOMMODATE YOUR DESIRED MOUNTING.



**REPLACEMENT PARTS AVAILABLE**

**REPLACEMENT PARTS AVAILABLE**

AERATOR W/KEY  
0000086686.8



1455 KLEPPE LANE  
SPARKS, NEVADA 89431  
(775) 359-4712 FAX (765) 359-7424  
E-MAIL: HAWS@HAWS.CO.COM  
WEBSITE: WWW.HAWS.CO.COM

|                            |                 |                           |
|----------------------------|-----------------|---------------------------|
| DESIGNED BY: [Signature]   | MODEL(S)        | 5510LF                    |
| DRAWN: [Signature]         | GOOSENECK VALVE | GOOSENECK VALVE           |
| DATE: 05/04/07             | SCALE: 12.5     | DRAWING TYPE: DEVELOPMENT |
| APPROVED: [Signature]      | SIZE: A         | SHEET 1 OF 1              |
| REVISED PERBY: [Signature] | REV             | 0002077529                |
| DATE: 05/04/07             | DRAWING NO.     | 11405A00                  |
| GE                         |                 | 7                         |